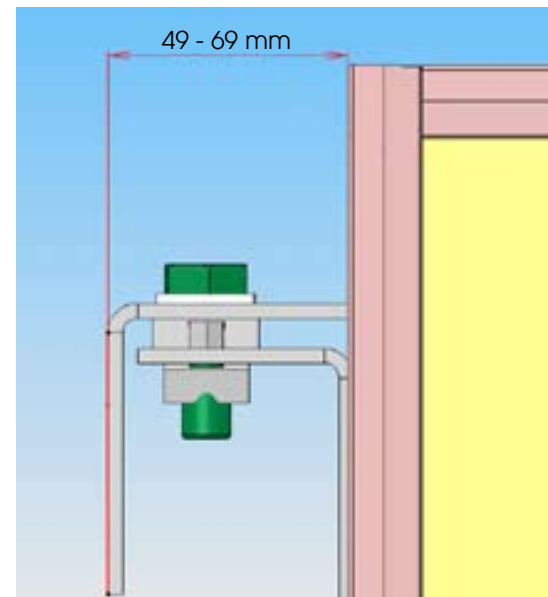
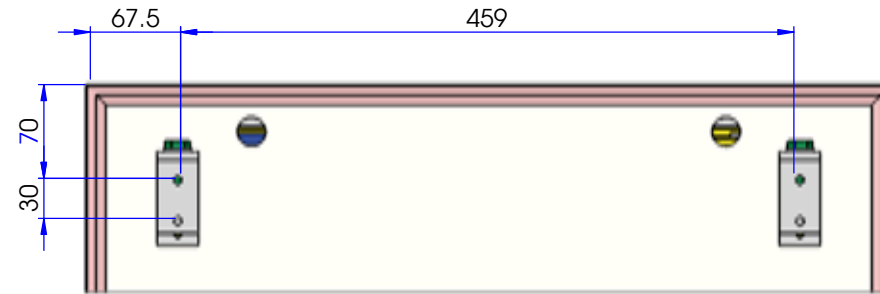


V or S 259



Wall brackets supplied but not fitted to cabinet on delivery.
 Drill the holes in the wall only at the time of the installation of the cellar.

5 - INSTALLING YOUR WINE CABINET



Wall fixing of the cabinet

For medium and large models, if the wine cabinet is not being built in, it is essential to secure it to the wall to prevent it from tipping forward. You will find all the necessary parts in the accessories bag supplied with the unit. For installation (see diagram below):

- 1 Loosen the screws **A**.
- 2 Attach the bracket **B** to the cabinet with the screws **A**.
- 3 Clip the nut **C** to this bracket **B** (preferably choose the hole nearest to the cabinet).



Warning: make sure that the part is correctly clipped by pulling upwards by hand. The clip must not come out.

- 4 Preposition the wall bracket **D** (on the nut to determine the position for drilling the holes for the wall-mounting screws,
- 5 Drill the holes then attach the wall bracket **D** with suitable screws **E**.



Warning: ensure that the wall fixing can withstand a tensile force of 100 kg.

- 6 Tighten screw **G** with the washer **F** until it is screwed fully in and there is contact between the wall bracket **D** and the nut **C**.

Only full tightening of the screw will ensure correct fixing of the unit. Repeat the installation on the other side of the cabinet.

