



Manufactured in France

2 temperatures



Wine serving solution by the glass, free standing or built-in, conservation of opened bottles

Technical Specifications

Capacity 8 preserved bottles
+ 6 storage bottles

Functions

- Electronic regulation from 6 to 18°C/ 43-64°F
- 6°-15°C/43-59°F for white wines
- 12-18°C/54-64°F for red wines
- The bottles are preserved up to 10 days, thanks to an exclusive vacuum system (depending on the wine and its vintage)
- Red or with wine whatever the compartment

Design

- 2 full glass doors, with double safety lock
- Interior lighting with multicolour LED
- Both temperature settings from the right compartment
- Black tempered glass top

Equipment

- Excess condensation water collected in 2 drawers
- 2 adjustable feet
- 1 remote control for setting light

Regulation

- Thermal insulation and U.V. protection
- Frequency detector
- Air extraction fault warning indicators

| | | |
|---------------------|----------------------------------|---------------------------------|
| Technologies | Production of cold air | Ventilated cold air /Compressor |
| | Production of warm air | Heater |
| | Heat activation | Automatic |
| | Leads | CE/US/UK/JA/C6/ CH/CN/AU |
| | Type of walls | ABS |
| | Type of external covering | Black metal |
| | Type of insulation | Polystyrene foam with |
| | Type of glass | UV protection |



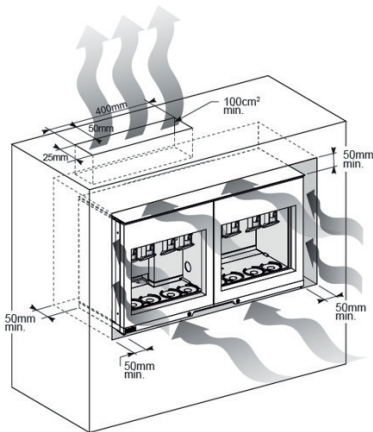
*Traditional Bordeaux format

General features

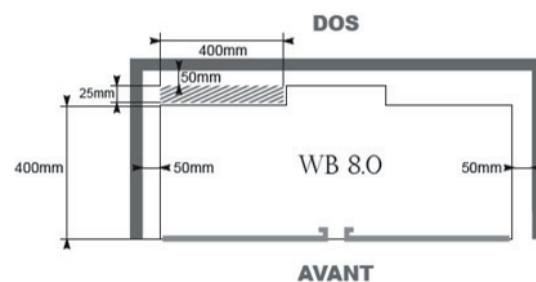
| | Full Glass Door |
|----------------------------------------------|---------------------|
| Net Weight (kg) | 85 |
| Dimensions unpacked H x W x D (mm) | 604 x 1076 x 480 |
| Dimensions packaged H x W x D (mm) | 800 x 1200 x 600 |
| Color | Nero- RAL 9005 |
| Electrical Power (at 25°C – 77°F) | 75 |
| Ambient temperature operating limits (C°/°F) | 10 to 35 (50-95) |

Conditions d'encastrement (précautions à respecter)

Front view



Top view



Wine Bar 8, in few words...

The solution that enhances the service of wine by the glass or bottle.

Wine Bar 8.0 contributes to the quality of service in the tradition of the greatest sommeliers. It keeps 8 bottles open without altering their organoleptic qualities. Optimize your wine by the glass sales.

